

Anticipatory Vibrotactile Cueing Facilitates Grip Force Adjustment

Shogo Okamoto
Nagoya University

Michael Wiertelwski
Departement of Mechanical Eng.
Northwestern University, Evanston, USA

Vincent Hayward
UPMC Univ Paris 06, Institut des
Systèmes Intelligents et de Robotique,
Paris, France

ABSTRACT

Human grip forces are automatically adjusted upon occurrence of an external disturbance experienced by an object that is held between the thumb and the index finger. We investigated some of the cues that may be used by the brain to perform rapid grip re-stabilization. To this end we ask subjects to grip an instrumented and actuated parallelepiped-shaped handle between the index and the thumb. Under computer control, the handle could be yanked from the grip and could be independently vibrated. We found that the latency of the motor corrective action was 139 ms on average, but when a vibrotactile stimulation was applied 50 ms before the application of the pulling force, the latency was reduced on average to 117 ms. The average latency of the conscious response to the vibrotactile stimuli was 230 ms, suggesting that vibrotactile stimulation was capable of influencing the reflex action. Moreover, the grip forces tended to increase with the additional vibrotactile cues although this result is not statically significant with the small sample of participants of this pilot study.

1 INTRODUCTION

Grip force adjustment is automatically performed during manipulation. This adjustment is largely unconscious and is particular useful in the case of rapid, unexpected variations in the loading and unloading of the grip [9]. The result is an automatic stabilization of the grip preventing slip, yet avoiding overly large grip forces to be employed. To achieve this function, it is likely that several populations of mechanoreceptors provide information to multiple spinal and supraspinal sensorimotor loops operating at different levels of the nervous system. Among these populations, mechanoreceptors associated with cutaneous inputs play an important role since digital anesthesia results in substantial attenuation of the gripping sensorimotor corrective behavior [7, 2], where an increase of the grip force could be interpreted as a strategic response of the nervous system to weakened inputs [4, 17]. Similarly, other types of perturbations also modify gripping behavior [2, 1, 15]. It can be concluded from these studies that cutaneous inputs are able to provide early-warning signals, in advance of the catastrophic failure of a grip.

The shortest latency between the onset of a load and grip force adjustment was found to be approximately 70 ms [2, 9] but according to the loading conditions, this value can vary up to up to 170 ms [8]. Grip force adjustment is an intriguing form of behavior that one would desire to replicate for robotic [20, 24, 13, 21], and rehabilitation purposes [10, 11].

We focus here on grip force adjustment from the aspect of interface design for a more stable human grasp. Prior studies have looked at the effect of added stimulation during the change of grip of load [15, 18]. From these studies it can be concluded that additional stimulation can modifies the subsequent gripping behavior.

Here, our hypothesis is that stimulation of the fingertips can shorten the latency of the onset of grip force adjustment. To test this

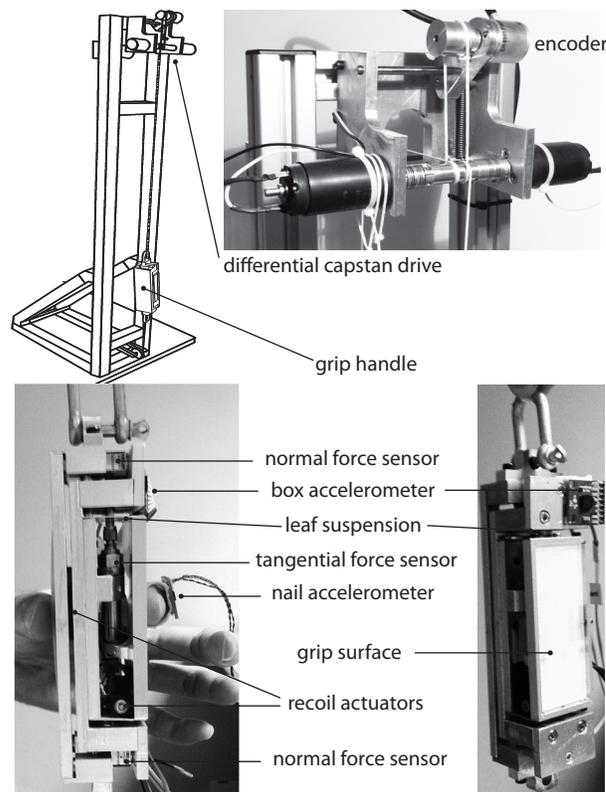


Figure 1: Apparatus including an instrumented grip handle and a pulling mechanism.

hypothesis we organized experimental conditions where the fingertips could be cued ahead of the slip-inducing, sudden load increase. In an attempt to segregate the mechanical cues that could be determinant in provoking a grip adjustment, we also measured the fingertip bulk deformation during behavior.

2 MATERIALS AND METHODS

2.1 Apparatus

Figure 1 shows the experimental setup. The main component was a grip handle to be held between the thumb and the index finger and driven two DC motors (2642W012CR, Faulhaber) in tandem using a differential capstan mechanism. Such mechanisms can achieve arbitrarily large bi-directional traction for an arbitrarily low pre-tension in the cable, thus insuring smooth operation and minimal friction losses [5]. The present system provides 20 N of continuous pulling force for less than 0.1 N of friction. Position of the object in space was measured by an encoder (Baumer, BTIV 24S 16.24K, resolution: 0.0146 mm). A multifunction DAQ card (PCI-6221, National Instruments) both commanded the motors and acquired the data at a sampling rate of 10 kHz.

The grip handle had three uni-axial force sensors organized as

follows. The normal grip force component was measured by two force sensors mounted in the load paths between the two plates at each end of the handle (9313AA1, Kistler). The plate interacting with the index included a leaf suspension mechanisms that separated out the tangential component of the interaction force which was measured by a high resolution, high bandwidth force sensor (Z-axis: 9217A, Kistler). The fingers were in contact with smooth, sanded finish plastic surfaces.

Two accelerometers were used to measure the deformations of the finger pad during loading. The acceleration of the handle was measured by a miniature solid state accelerometer (MMA7260QT, Freescale Semiconductor, nominal bandwidth: 350 Hz) and the acceleration of the nail of the index finger measured by a second miniature accelerometer (ADXL300, Analog Devices, nominal bandwidth: 1600 Hz). The differential acceleration gave a measure of the deformation of the finger, bulk strain rate by a first step of integration and bulk deformation by a second step of integration. Because of the short time window and in the absence of slip a precise estimate the finger can be obtained this way. Moreover, full slip can be detected when the rate and amplitude of the deformation exceed thresholds.

Finally, two recoil-type actuators (Haptuator Mark 2, Tactile Labs) were used to vibrate the grip handle. They were mounted orthogonally to loads paths of the force sensors to minimize interference with the force measurements.

2.2 Participants, Task, and Stimuli

Five volunteers participants, which excluded the authors, from the research staff of the institution joined the experiments. During the experiments, they wore headphones playing pink noise to mask out the faint sounds emitted by the vibration actuators and by the pulling motors.

The participants sat on a chair and held the grip handle between their thumb and index fingers. They were instructed to hold the box in a relaxed manner with a natural grip sufficient to maintain it under gravity loading. They were asked to “hold the handle such that you do not lose it, and respond to the vibrations as quickly as possible.”

In some test conditions, after a randomized a time period (2–5 s), an impulsive command could be send to the motors and the handle was rapidly accelerated. The result of this acceleration was a sudden increase of the load applied to the fingers, see Fig. 2 for a typical example. The interaction force peaked on average at 5 N, 130 ms after the onset of the command sent to the motors and the force rate reached 38.5 N/s on average, reflecting the dynamics of the handle-grip mechanics. In certain test conditions, vibrotactile stimulation was applied to the participants’ thumb and index fingers. The magnitude of vibration was approximately $\pm 10 \text{ m/s}^2$.

2.3 Testing Conditions

We prepared for four conditions that differed according to the loading and vibrotactile stimuli. The participants experienced these four conditions practice phases that lasted a few minutes. During the main task, each condition was presented ten times. In total, forty trials were individually performed in a randomized order. After each trial, the participants released the grip handle and relaxed. Upon visual cueing, the participant gripped the handle and conducted the next trial.

Loading only (Condition 1). The load was suddenly increased as described previously.

Vibrotactile stimulation only at 250 Hz (Condition 2). Vibrotactile stimulation at 250 Hz was produced as described previously, but not followed by sudden loading. The aim of this condition was to obtain and estimate of the the conscious response to vibrotactile stimulation.

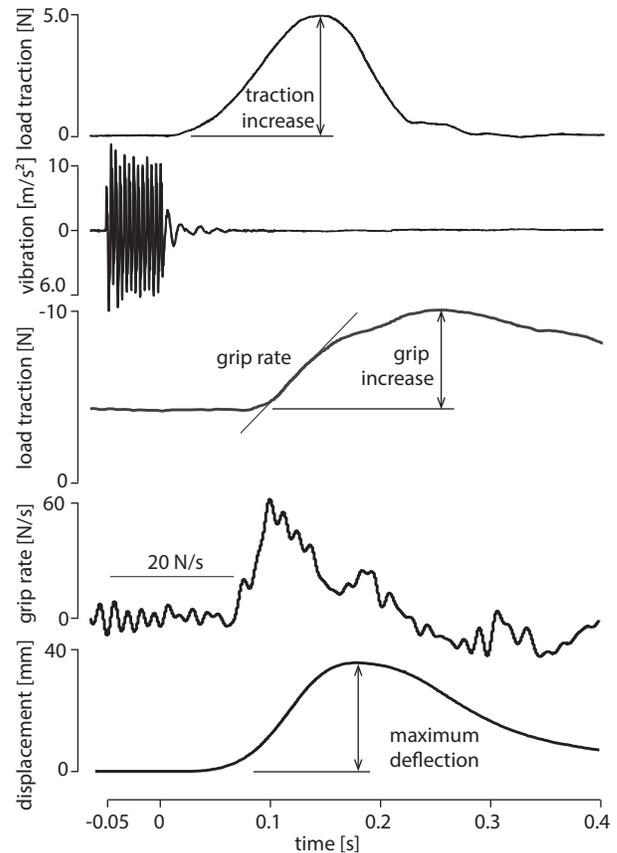


Figure 2: Time course of the loading stimulus, vibrotactile stimulus, motor response and net handle displacement. Top panel: Traction loading force component reaching a maximum, typically at 130 ms after the torque command to the motors. Next panel: Vibrotactile stimulus. Next two panels: grip force response and rate. Bottom panel: Net displacement of the handle, reaching a maximum at a different time from the load due to complex biomechanical dynamics coupled to the inertial dynamics of the motor/handle subsystem.

Load and vibrotactile stimuli at 250 Hz. (Condition 3). Vibrotactile stimulation at 250 Hz was presented 50 ms before the onset of loading to the participants as described earlier. The aim of this condition was to observe the effects of vibrotactile stimuli on grip force adjustment.

Load and vibrotactile stimuli at 100 Hz. (Condition 4). This condition was the same as Condition 3 with the difference that the vibration frequency was 100 Hz. The aim was to investigate whether there was some stimulus frequency specificity visible in the motor response given the likely contribution of the Pacinian receptor population.

Follow-up trials. After forty trials in Conditions 1–4, we repeated tests in Condition 2 for ten trials in order to evaluate the conscious responses to vibrotactile stimuli. In these follow-up trials, the participants were informed that only vibrotactile cues would be presented to them, and had to respond to them as quickly as possible.

2.4 Data Analysis

Several data can be extracted from these experiments. Figure 2 shows typical records of the time course of events, including traction loading, grip force response and the net displacement of the handle. If the command is applied at time, $t = 0$, approximately

Table 1: Averages and standard deviations of three parameters among all participants. 'ld' and 'vib' indicate load and vibrotactile cue, respectively.

Condition		Latency [ms]	Grip increase [N]	Disp. grip box [mm]
1 (ld only)		139 ± 30	8.76 ± 4.21	32.4 ± 17.0
2 (vib only)		229 ± 97	–	–
3 (ld + vib)		116 ± 23	9.91 ± 4.55	32.0 ± 15.0
4 (ld + vib)		117 ± 24	10.5 ± 4.88	30.5 ± 13.8
5 (vib only)		172 ± 55	–	–

100 ms later, the onset of grip force adjustment was typically observed. Using these data, three types of parameters were evaluated for each trial. Very large and very small values of these parameters among those of each condition of individual participants were automatically pruned, and then the rest were used for statistics.

The latency between traction force and the grip force adjustment was defined as the time difference of their respective onsets in Conditions 1, 3, and 4. For conditions 2 and 5, this value was defined as time difference between the end of the vibrotactile cue and the onset of grip force adjustment. In Conditions 3 and 4, the end of the vibrotactile cue and the beginning of the rise in traction force coincided, as a result of the very high stiffness of the mechanical transmission between the motors and the handle. The derivative of grip force signals was computed by finite difference after zero-lag FFT filtering with a cut-off frequency of 100 Hz. An example can be seen in Fig. 2. The threshold as 20 N/s was used to mark the beginning of grip force change. This threshold is approximately two to three times the noise levels, that used by Danion et al. [3]. For some trials, the grip force change rate did not reach this threshold level. These trials were excluded from the reports.

The increase in grip force was the difference in grip force between its maximum and the average of the last 100 ms before the onset of the traction force, or the end of the vibrotactile stimulation. The grip force values were filtered in the way same as just described. This value is known to depend on many conditions of perturbative loads, and has been used as an important parameter to characterize grip force adjustment. Also, the magnitude of grip force is directly related to stable grasping.

The maximum deflection was defined as the difference in the position of the grip box between the highest value after the force stimulus and the average of 100 ms before the onset of traction. Unfiltered position signals from the encoder were used to calculate this value. It is also an important parameter to evaluate the success of grip force adjustment. Smaller values indicate a more successful recovery from disturbance.

3 RESULTS

3.1 Latency of grip force adjustment

As a whole, the latencies between the pulling force and grip force adjustment, in the vibration stimulation only case (Condition 2) clearly recorded the largest values among four conditions. Condition 2 was, then, followed by the loading only condition (Condition 1) that was potentially significantly larger than the condition with combined loading and vibration at 250 Hz and at 100 Hz (Conditions 3 and 4). The latencies in Conditions 3 and 4 were nearly indistinguishable.

Figure 3 (top) and Table 1 show the average and standard deviation values among all trials by condition. Figure 3 (bottom) shows the latencies for each trial by participants. The latencies of the vibration only condition (Condition 2) were clearly larger than those of the other conditions with an average value of 229 ms hence of 279 ms from the onset of the cue. The latencies of load only condition 1 (Condition 1) recorded the second highest values. The other

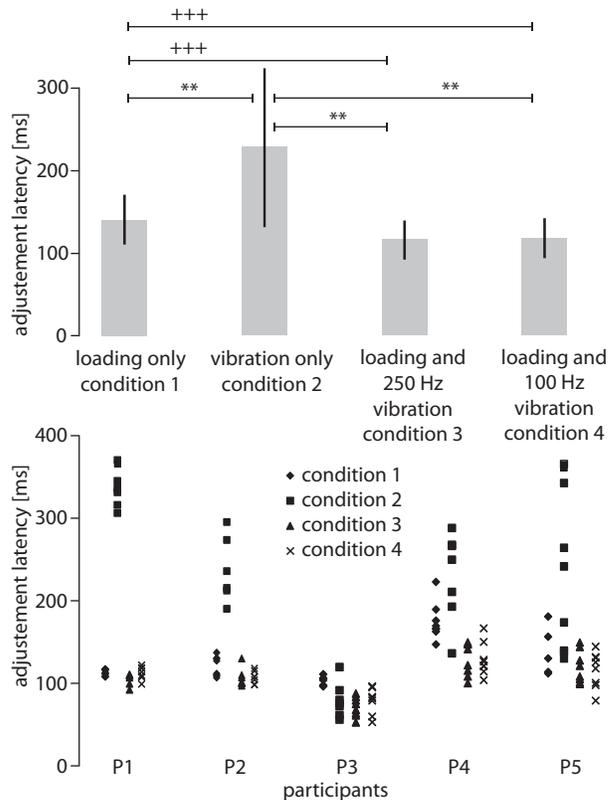


Figure 3: Latency between pulling force and grip force adjustment. Averages and standard deviations among trials. Top) Entire trials. Bottom) By participants P1–P5. Dots correspond to conditions 1–4 from left to right for individuals. **: $p < 0.01$ by Tukey test. +++: $p < 0.001$ by t -test.

conditions followed.

The tukey test showed significant differences between Condition 2 and the others (conditions 1 and 2: $q(3, 145) = 7.22$, $p < 0.01$, conditions 2 and 3: $q(3, 145) = 9.34$, $p < 0.01$, conditions 2 and 4: $q(3, 145) = 9.23$, $p < 0.01$). We also applied pair-wised t -tests to the pairs of conditions, which additionally indicated significant differences between conditions 1 and 3 ($t(73) = 3.89$, $p < 0.001$, two-tailed) and conditions 1 and 4 ($t(73) = 3.59$, $p < 0.001$, two-tailed). As shown in Fig. 3 (bottom), these trends were observed for all individuals. For P3, the latencies of condition 2 seem smaller than those of condition 1. However, note these are conservative estimates and that we should add 50 ms to the values of condition 2 when comparing the latencies of conditions 1 and 2.

3.2 Increase in grip force

In term of the increases in grip forces, no statistically significant differences were found among conditions. However, as a weak trend, the presence of vibration seem to provoke a larger increase of grip force of about 1 to 2 N(Condition 3 and 4). Fig. 4 (top) and Table 1 show the average and standard deviation values of all trials by conditions. Fig. 4 (bottom) shows the results by individual participants. The vibration only condition (Condition 2) was excluded. On average, the increases in grip forces were the smallest in the load only condition (Condition 1), followed by the load combined with vibrations conditions (Conditions 3 and 4).

As shown in Fig. 4 (bottom), for three participants among five (P1–P3), these trends held. For P5, the increases in grip force were highest under condition 3, and those of conditions 1 and 4 were ap-

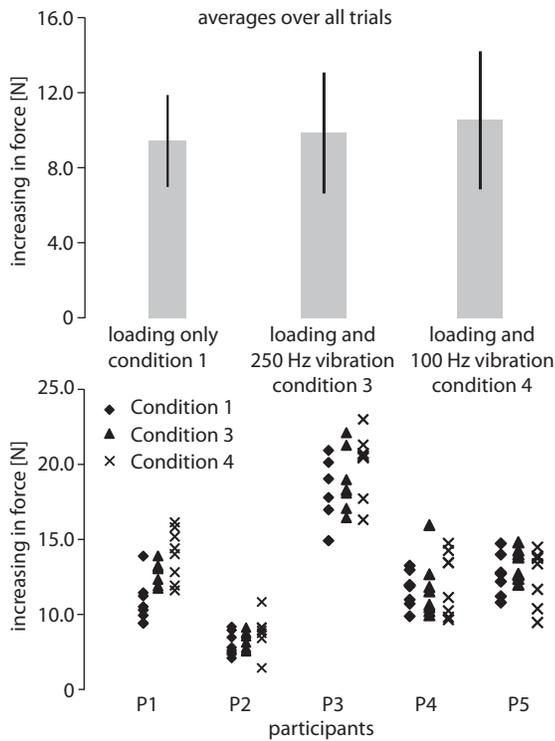


Figure 4: Increase in grip force. Averages and standard deviations among trials. No statistically significant differences were exhibited among conditions.

proximately equal. For P4, condition 4 exhibited the highest values, and conditions 1 and 3 recorded similar values on average.

3.3 Handle Displacement

Table 1 shows the averages and standard deviations of the displacements of grip box. These values did not significantly vary among the conditions.

3.4 Detailed analysis of the results for one participant

Fig. 5 shows the average time course of the grip force, grip force rate, and the displacement of the handle boxes for participant P5. These profiles are the averages of ten trials for each condition. Data from each trial referenced to zero time and displacement. As shown in the top panel figure, for this participant, the increase in grip force was the largest in the condition where the loading and a vibration at 250 Hz were both present (Condition 3). This increase value was followed by the values obtained in the condition of loading only (Condition 1) and loading and vibrations at 100 Hz (Condition 4). The latencies (top and middle panels), obtained with loading plus vibration, were the shortest but comparable (conditions 3 and 4), followed by the loading only condition and lastly with vibrations only (Condition 2). As shown in the bottom of Fig. 5, while there was no unified tendency among participants, for this participant the displacements under Condition 4 were the largest. As to the displacement of grip box, while there was no unified tendencies observed between the participants, for this participant, the presence of vibrations made a noticeable difference.

3.5 Fingerpad Deformation

Some interesting data was obtained from the measurement of differential acceleration between the nail and the contact surface, expressing the mechanical loading applied to the finger. Figure 6

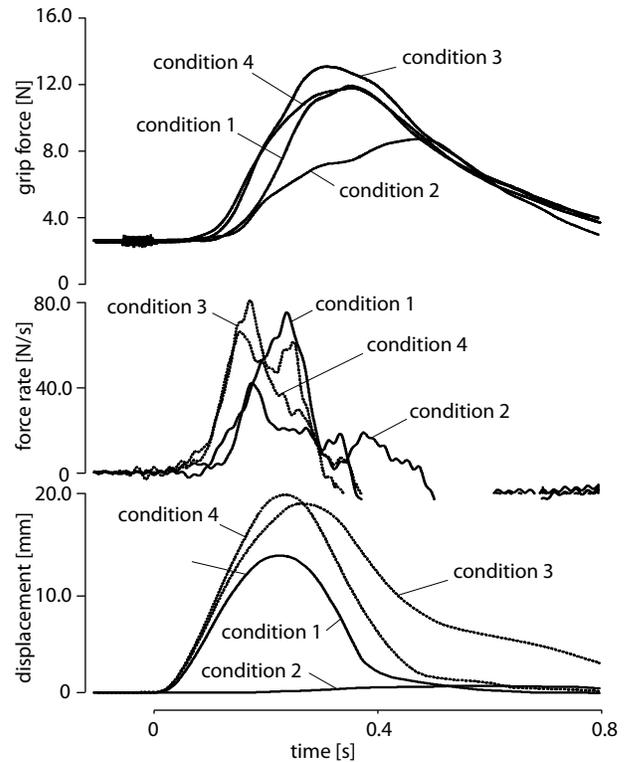


Figure 5: Average results of one participant. Top) Grip force. Middle) Derivative of grip force. Bottom) Position of the grip box and pulling force applied to the box. Condition 1 is load stimulus only. Condition 2 is vibrotactile stimulus only. Condition 3 is load + vibrotactile stimuli (250 Hz). Condition 4 is load + vibrotactile stimuli (100 Hz).

(top) shows the accelerations of finger deformations for three participants. Each plot is the average of ten trials under the loading only condition (Condition 1) after low-pass filtering at 200-Hz.

The middle panel shows the bulk deformation after two steps of integration of the differential acceleration signal. There is clearly some amount of amount of drift in the estimates due to imperfect calibration of the accelerometers, yet the profile reveal quite different finger mechanics from one subject to another. The particular examples were selected to show the great differences in bulk deformation of these fingers. The relation to the tangential load profiles shown in the bottom panel shows complex dynamics that could be the result of combined nonlinear biomechanics and neural response.

Focusing on the initial portions of the responses, the fingerpad deformation started approximately 15 ms later than the onset of the traction force. These times of onset were very similar among all the participants. Furthermore, the initial slopes of acceleration values were also comparable among them. They reach their first maximums around 30 ms later the onset of the pulling force. Then, they differed significantly vary among the participants. Similarly, the profiles of tangential forces were very similar for the first 30 ms for all the participants and differed later.

It can be surmised from these observations that the initial dynamics of the interaction are dominated by the tissue mechanics characterized by the typical nonlinear stiffening of the finger tissues undergoing large deformation [16, 22] and that this initial phase 30 ms is followed by mechanical events precipitated by the neural response that can vary greatly among individuals. For example, one participant recorded a maximum pad deformation of approximately 4 mm on average, but for another participant this deformation was smaller than 1 mm. The mechanics of the fingertip depend, not only

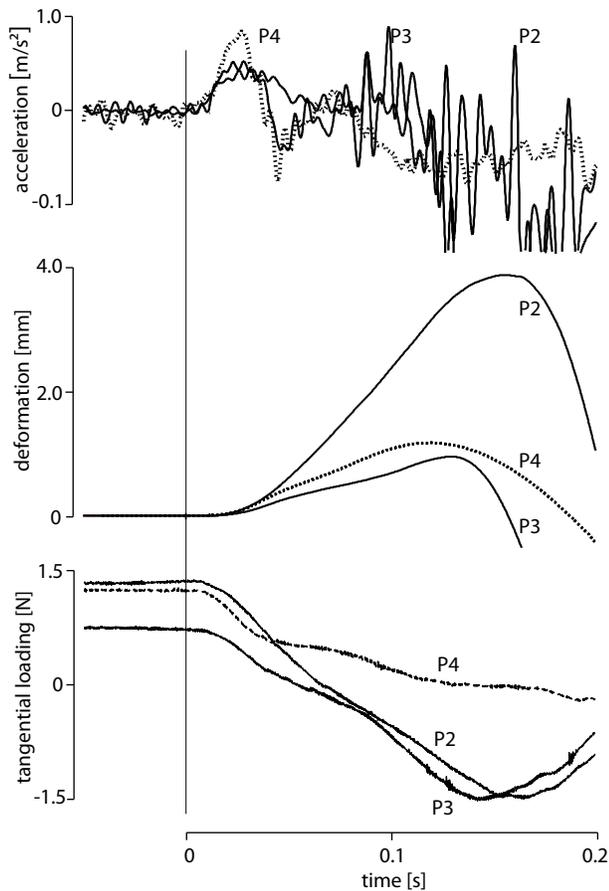


Figure 6: Finger pads' deformations and their tangential forces. Top) Acceleration of the deformations. Middle) Displacements. Bottom) Tangential forces.

in tangential loading, but also on normal loading. Another source of differences were the initial grip forces before application of the disturbances ([base-line \rightarrow increase of grip force] = [3.3 \rightarrow 2.8], [3.8 \rightarrow 15.7], [5.3 \rightarrow 8.3] N for P2, P3, and P4, respectively) which could affect the biomechanical as well as the neural response. P2's grip-force increases were the lowest but the finger deformation was the largest among the participants. P3's grip-force increases were greatest but the finger skin deformations were lowest. It is however risky to draw any conclusion from this apparent correlation.

4 DISCUSSION AND CONCLUSION

Under our experimental conditions, the response latencies to a sudden traction loading pulling force were 139 ± 30 ms on average (Condition 1). Our definition of the latency is conservative and latencies and the neural response to disturbance is likely to be much shorter since the mechanics are expected to lag the neural activation of the muscles. Give or take the differences in the definitions of what latency is, our results are in line with those of the literature [2, 9, 8]. These value are also known to vary in a wide range (70 to 170 ms) with the nature of the cueing given by particular types of disturbances owing to the differential engagements of spinal and supraspinal sensorimotor control loops.

Brief, 50 ms vibrotactile cueing could influence the onset of grip force adjustment of a sudden unexpected change of load by 23 ms on average from a baseline value of 139 ms. This can be compared to the 229 ± 97 ms response to the same vibrotactile cue presented in the absence of loading disturbance, which can be interpreted

as a conscious reaction time to a vibrotactile cue or to the 172 ± 55 ms of reaction time when the cue was anticipated. It is thus permitted to conclude that the participant faset behavior was not the result of a conscious reaction and that the vibrotactile cues did modify their reflex reaction.

Mrotek et al. [14] pointed out the contributions of preparatory activities to grip force adjustment. They compared the latencies of grip force adjustment obtained during holding to those during lifting-object phases. They reported that the latencies in latter phase were smaller. During the lifting phase, tactile activities of finger pads are comparatively higher owing to the presence of inertial forces, raising the mechanical loading and thus the level of sensory inputs. They also found that the lifting phase led to larger increases in the grip forces. Here, we stimulated the tactile receptors using vibrotactile cue before the onset of the perturbative loading. The latency of grip force adjustment decreased and the grip forces has a tendency to increased. These effects could be related.

We also could estimate the fingerpad deformation in the course of a sudden disturbance load. Interestingly, The initial phase of mechanical response did not vary significantly among the few individuals that we tested, that is during the first few tens of milliseconds after the onset of the disturbance. On the other hand, the mechanical responses vary visibly among individuals, suggesting different sensorimotor strategic neural responses to similar inputs.

ACKNOWLEDGEMENTS

The authors wish to thank A, B, C. This work was supported in part by a grant from XYZ.

REFERENCES

- [1] A.-S. Augurelle, A. M. Smith, T. Lejeune, and J.-L. Thonnard. Importance of cutaneous feedback in maintaining a secure grip during manipulation of hand-held objects. *Journal of Neurophysiology*, 89(2):665–671, 2003.
- [2] K. J. Cole and J. H. Abbs. Grip force adjustments evoked by load force perturbations of a grasped object. *Journal of Neurophysiology*, 60(4):1513–1522, 1988.
- [3] F. Danion. The contribution of non-digital afferent signals to grip force adjustment evoked by brisk unloading of the arm or the held object. *Clinical Neurophysiology*, 118:146–154, 2006.
- [4] J. R. Flanagan and A. M. Wing. The role of internal models in motion planning and control: Evidence from grip force adjustments during movements of hand-held loads. *Journal of Neuroscience*, 17(4):1519–1528, 1997.
- [5] V. Hayward, P. Gregorio, O. Astley, S. Greenish, M. Doyon, L. Lessard, J. McDougall, I. Sinclair, S. Boelen, X. Chen, J.-P. Demers, J. Poulin, I. Benguigui, N. Almey, B. Makuc, and X. Zhang. Freedom-7: A high fidelity seven axis haptic device with application to surgical training. In A. Casals and A. T. de Almeida, editors, *Experimental Robotics V*, volume 232 of *Lecture Notes in Control and Information Science*, pages 445–456. Springer Verlag, 1998.
- [6] R. S. Johansson and I. Birznieks. First spikes in ensembles of human tactile afferents code complex spatial fingertip events. *Nature Neuroscience*, 7(2):170–177, 2004.
- [7] R. S. Johansson, C. Häger, and L. Bäckström. Somatosensory control of precision grip during unpredictable pulling loads. III. Impairments during digital anaesthesia. *Experimental Brain Research*, 89:204–213, 1992.
- [8] R. S. Johansson, C. Häger, and R. Riso. Somatosensory control of precision grip during unpredictable pulling loads. II. Changes in load force rate. *Experimental Brain Research*, 89:192–203, 1992.
- [9] R. S. Johansson and G. Westling. Roles of glabrous skin receptors and sensorimotor memory in automatic control of precision grip when lifting rougher or more slippery objects. *Experimental Brain Research*, 56:550–564, 1984.
- [10] P. J. Kyberd and P. H. Chappell. Characterization of an optical and acoustic touch and slip sensor for autonomous manipulation. *Measurement Science and Technology*, 3(10):969, 1992.

- [11] P. J. Kyberd, M. Evans, and S. Winkel. An intelligent anthropomorphic hand, with automatic grasp. *Robotica*, 16(5):531–536, 1998.
- [12] V. G. Macefield, C. Häger-Ross, and R. S. Johansson. Control of grip force during restraint of an object held between finger and thumb: responses of cutaneous afferents from the digits. *Experimental Brain Research*, 108:155–171, 1996.
- [13] T. Maeno, S. Hiromitsu, and T. Kawai. Control of grasping force by detecting stick-slip distribution at the curved surface of an elastic finger. *Proceedings of IEEE International conference on robotics and automation*, pages 3895–3900, 2000.
- [14] L. A. Mrotek, B. A. Hart, P. K. Schot, and L. Fennigkoh. Grip responses to object load perturbations are stimulus and phase sensitive. *Experimental Brain Research*, 155:413–420, 2004.
- [15] M. Nakamoto, M. Konyo, T. Maeno, and S. Tadokoro. Reflective grasp force control of humans induced by distributed vibration stimuli on finger skin with ICPF actuators. *Proceedings of IEEE International conference on robotics and automation*, pages 3899–3904, 2006.
- [16] N. Nakazawa, R. Ikeura, and H. Inooka. Characteristics of human fingertips in the shearing direction. *Biological Cybernetics*, 82:207–214, 2000.
- [17] D. A. Nowak, J. Hermsdörfer, G. S. J. Philipp, L. M., and N. Mai. The effects of digital anaesthesia on predictive grip force adjustments during vertical movements of a grasped object. *European Journal of Neuroscience*, 14:756–762, 2001.
- [18] T. Sakurai, M. Konyo, S. Okamoto, and S. Tadokoro. Research of conditions of stimulus for inducing grasping force control reflex. *Proceedings of the 2000 IEEE/SICE International Symposium on System Integration*, pages 408–413, 2010.
- [19] M. A. Srinivasan, J. M. Withehouse, and R. H. LaMotte. Tactile detection of slip: surface microgeometry and peripheral neural codes. *Journal of Neurophysiology*, 75:1957–1962, 1990.
- [20] M. R. Tremblay and M. R. Cutkosky. Estimation of friction using incipient slip sensing during a manipulation task. *Proceedings of the 1993 IEEE International Conference on Robotics and Automation*, 1:429–434, 1993.
- [21] J. Ueda, A. Ikeda, and T. Ogasawara. Grip-force control of an elastic object by vision-based slip-margin feedback during the incipient slip. *IEEE Transactions on Robotics*, 21(6):1139–1147, 2005.
- [22] Q. Wang and V. Hayward. In vivo biomechanics of the fingerpad skin under local tangential traction. *Journal of Biomechanics*, 40(4):851–860, 2007.
- [23] G. Westling and R. S. Johansson. Responses in glabrous skin mechanoreceptors during precision grip in humans. *Experimental Brain Research*, 66:128–140, 1987.
- [24] Y. Yamada, H. Morita, and Y. Umetani. Vibrotactile sensor generating impulsive signals for distinguishing only slipping states. *Proceedings of the IEEE/RSJ International Conference on Intelligent Robots and Systems*, pages 844–850, 1999.